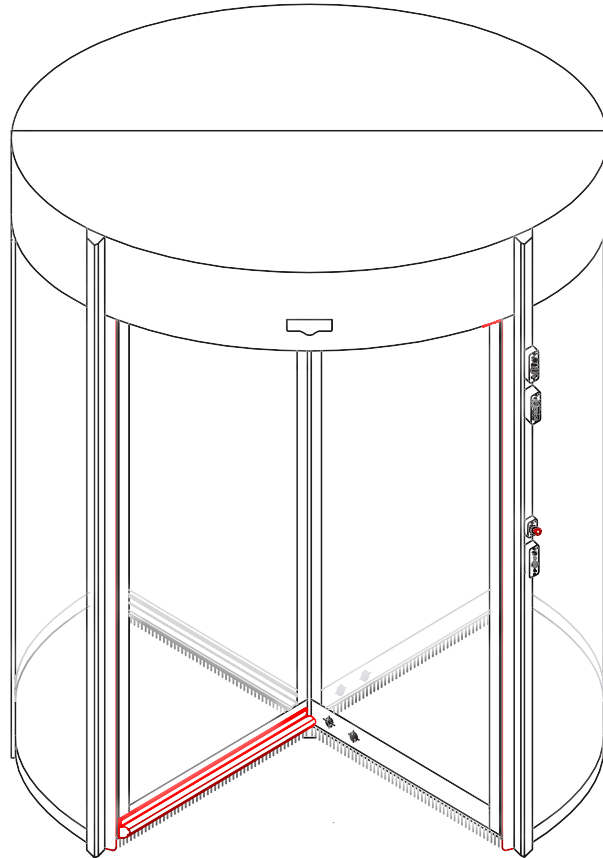


TECHNICAL SPECIFICATIONS



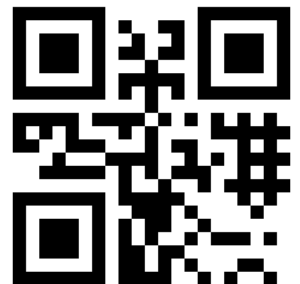
MR30/SA **Standard Automatic Revolving Doors**

MR30/SA Automatic Revolving Door standard specifications include diameters between 2000 mm and 3800 mm, different heights, 3 or 4 leaf options and various color and surface alternatives. It's completely compliant with required standards in terms of safety. Safety options and designs can be adapted to location and requirements.

Ver.01.01.18.MR30.
UKK.1.ENG



HTM METAXDOOR GmbH
Bredeneyer Str. 2b
45133 Essen
Tel : 0201 4517-322
Fax: 0201 4517-323
www.metaxdoor.de





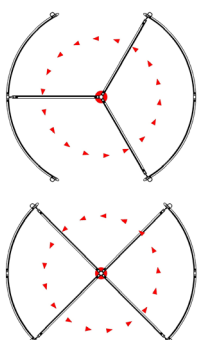
Standard Automatic Revolving Doors

METAXDOOR MR30/SA Standard Automatic Revolving door provides you with varieties of insulated and energy efficient entrance alternatives with its versatility. Also with its chic nature, it completely fits your building's exterior design.

METAXDOOR MR30/SA also provides you with smooth entrance and reliable performance with the best available mechanism.

METAXDOOR MR30/SA gives you a combination of aluminium, glass, slim profiles and insulation materials that meet energy efficiency and a smooth entrance to satisfy all your demands. The chic design meets versatility to complete your building's exterior. Its reliable performance with thermal and noise insulation makes it even more useful.

Technical Specifications	Standard
Motor	AC 0,25 kw 1400 rpm 50-60 Hz
Processor	Uni-Master
Leaf Profiles	Aluminium extrusion
Canopy	Aluminium modular design
Passage Height	2100 - 2400 mm
Diameter	2000 - 3800 mm
Number of Leaves	3 or 4
Surface Finish	Natural mat anodized or powder coating
Leaf Glazing	8 mm tempered glasses
Drum Glazing	4+0,76+4 mm laminated glasses
Insulation	EPDM gasket and horsehair brush
Activation	2 pieces microwave radar
Locking	Electromagnetic motor lock



MR30/SA Options:

- Customizable diameter, design and function

Optional Features	
	Floor Ring and Mat
	Stainless-Steel Finish
	Extra Clear Glass
	Night Shield
	Waterproof Ceiling

MR30/SA

Ver.01.01.18.MR30.UKK.1.ENG

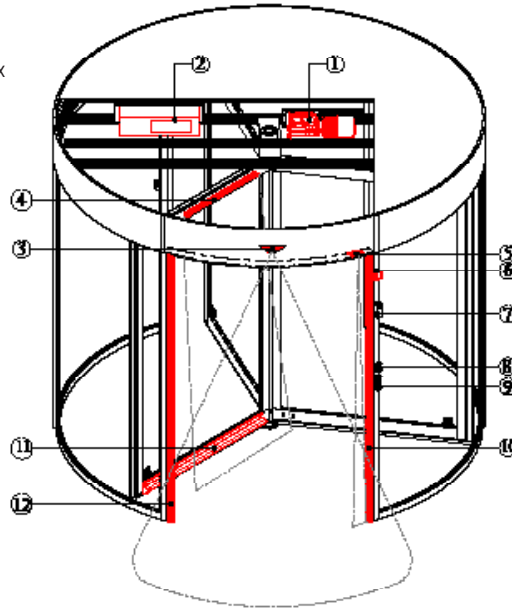
1- Motor; asynchronous motor rated at 0,25 Kw, 1400 rpm, 50-60 Hz and equipped with helical bevel gearbox and current operated brake.

2- Control Unit; Uni-MASTER- The programmable control panel is a multiprocessor digital control system utilizing time-division multiplexed operations to provide precision motor-drive, constant sensor monitoring and automated setup.

3- Merkur S2 Radar; motion sensor device that provides signal to activate rotation of the leaves.

4- IR TopScan Sensor; infrared sensor that provides vertical safety on the direction of rotation.

5- Vertical SpotScan Sensor; safety sensor that prevents people from getting stuck between the leaves and fixed drums.



6- Digital Touch Panel; used for adjustments during installation or to change adjustments afterwards.

7- Mode Selector; used for selecting operation mode.

8- Emergency Button; a push button that stops the door immediately.

9- Light and Disabled Button; a set of switches used for lighting and slowing down the rotation speed.

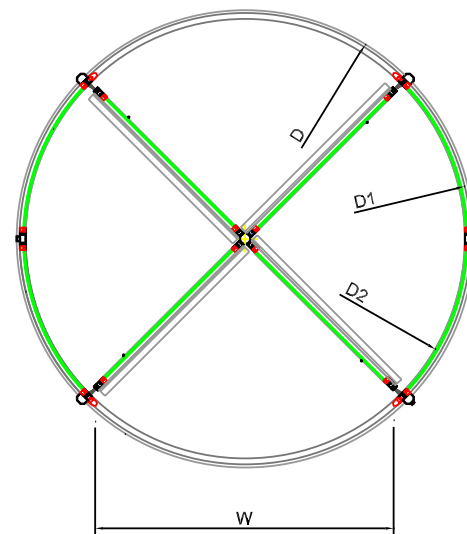
10- Vertical Hand Safety; safety edge that prevents people from getting stuck in both directions when the door is rotating.

11- Horizontal Heel Safety; safety edge that prevents people from getting stuck in heel level when the door is rotating.

12- Passive Safety Edge; passive safety edge that prevents people from getting stuck in both directions when the door is rotating.

Diameter Value

D (mm)	D1 (mm)	D2 (mm)	3-Leaf	4-Leaf
2000	1966	1906	860	1270
2200	2166	2106	960	1410
2400	2366	2306	1060	1550
2600	2566	2506	1160	1690
2800	2766	2706	1260	1830
3000	2966	2906	1360	1970
3200	3166	3106	1450	2110
3400	3366	3306	1560	2320
3600	3566	3506	1660	2460
3800	3766	3706	1760	2600



**D : Outer diameter *D2: Floor inner diameter *W: Passage (mm) *D1: Floor outer diameter*

HTM METAXDOOR GMBH

BREDENEYER STR. 2B 45133 ESSEN

TEL : 0201 4517-322 FAX: 0201 4517-323

WWW.METAXDOOR.DE

